

CyberKey X2

Part Number: CKR-X2

CAW	Version 9.5 or newer
Enterprise	<input checked="" type="checkbox"/>
Basic	<input checked="" type="checkbox"/>

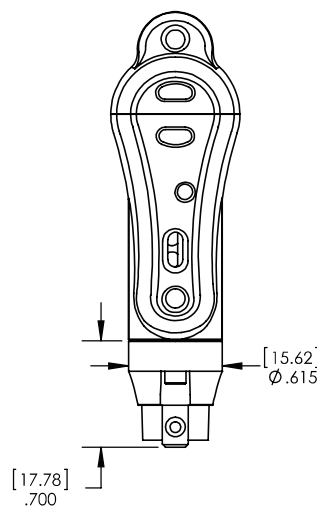
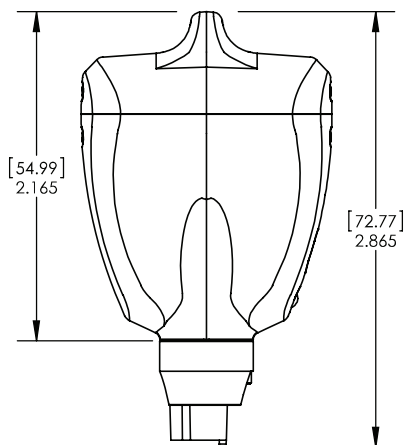


The RoHS compliant CyberKey X2 is an electronic key used to operate CyberLock cylinders. It has memory that contains encrypted access codes, a list of accessible locks, schedules of authorized dates and times, and a begin-end date range during which the key will operate. The battery from a CyberKey energizes the electronics within a CyberLock cylinder.

CKR-X2 has a replaceable battery and is fully compatible with all Gen 2 CyberLock features.

Specifications

Physical	Fiberglass reinforced nylon, replaceable brass tip
Operating Temperature	32° to 122° F (0° to 50° C)
Weight	1.5 oz (43.1 g)
Visual Output	Green indicator light
Sound Output	Embedded speaker
Power	3V lithium CR2 battery, field replaceable
Memory	2 MB for up to 12,000 audit trail events and up to 12,000 locks with Lock List expansion SEM
Compatibility	Generation 2 communicators such as the ValidiKey 2 Plus and ValidiKey 20, USB Station with CyberLink 2, IR Encoder 10, CyberKey Web Authorizer Hub 2, and Flex II with a keyport.
RoHS	Compliant with EU 2015/863



Notes:
 Dimensions in inches (mm)
 Drawing not to scale
 Ø indicates diameter

